

\\dc01\rb\clients\ODL, Inc. PERMANENT\A - Florida Product Approvals\FL-15260 Exterior Door Components - Lite Frame Inserts\C - Drawings\FL 15260 (2020) R9\FL-15260.3.dwg



## ODL / WESTERN REFLECTIONS

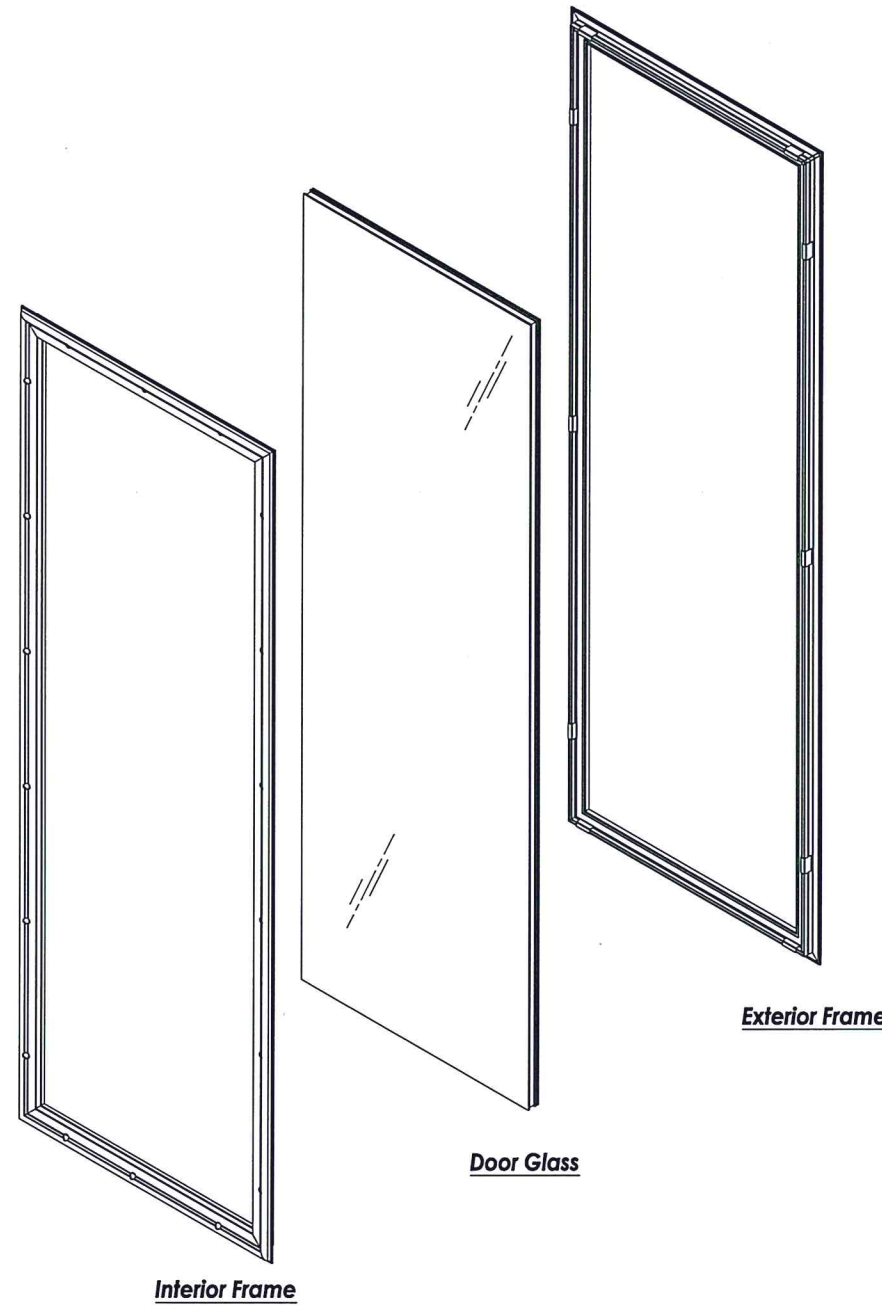
### HP POLYPROPYLENE LITE KIT DOORGLASS ASSEMBLY

#### FOR GLAZING UP TO A 3'0 x 8'0 SINGLE PANEL

#### "NON-IMPACT"

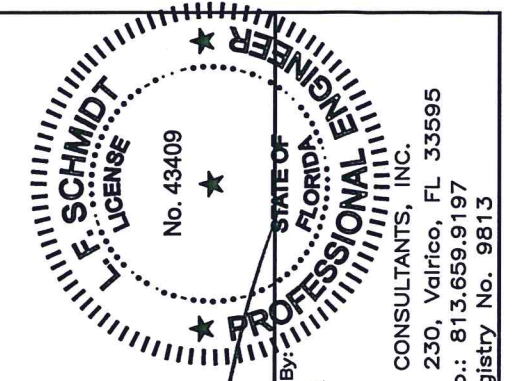
#### GENERAL NOTES

- This product has been evaluated and is in compliance with the 7th Edition (2020) Florida Building Code (FBC) structural requirements including the High Velocity Hurricane Zone (HVHZ).
- When used in the "HVHZ" this product is required to be protected with an impact resistant covering that complies with Section 1626 of the FBC.
- When used in areas outside the "HVHZ" requiring wind borne debris protection this product is required to be protected with an impact resistant covering that complies with FBC Sections 1609.1.2 & R301.2.1.2.
- This product is approved for use as a substitute doorglass assembly in conjunction with a glazed steel or fiberglass side hinged swing door and/or fixed sidelite possessing a comparable current Florida Statewide product approval.
- The design pressure (DP) rating shall be the lesser of the DP rating shown on sheet 1 of this approval or the DP rating shown in the glazed steel or fiberglass side hinged swing door or fixed sidelite approval being used.
- The door panel and lite opening size shall not exceed the sizes shown in this approval or the glazed steel or fiberglass side hinged swing door or fixed sidelite approval being used.
- This product has been tested in the door and/or sidelite panels as specified on sheets 3 & 4 of this approval. Substitution into a similar product may be approved for use by the local Authority Having Jurisdiction. In all cases, the glazed steel or fiberglass door and/or sidelite used must possess a comparable current Florida Statewide product approval.
- This product meets the water infiltration requirements for the "HVHZ".



DESIGN PRESSURE RATING (PSF)		
GLAZING TYPE	POSITIVE	NEGATIVE
TEMPERED		
1/8" MONO.	+60.0	-60.0
1/2" INSUL.	+60.0	-60.0
1" INSUL.	+60.0	-60.0

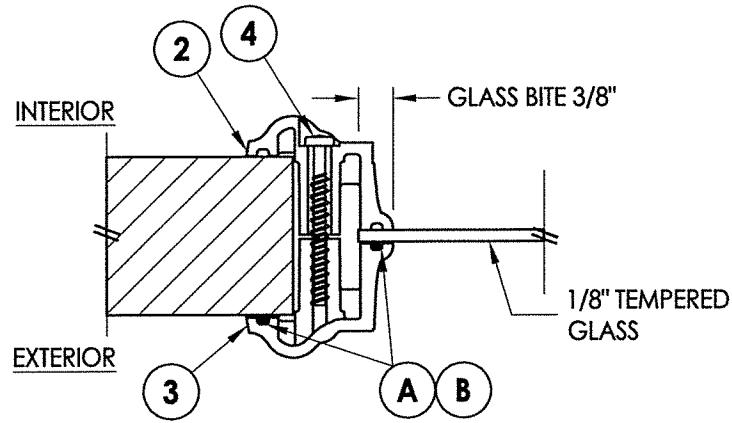
TABLE OF CONTENTS	
SHEET #	DESCRIPTION
1	Typical elevations, design pressures and general notes
2	Glazing details and components
3	Horizontal and vertical cross sections
4	Anchoring locations & bill of materials
5	Fiberglass door panels
6	Steel door panels



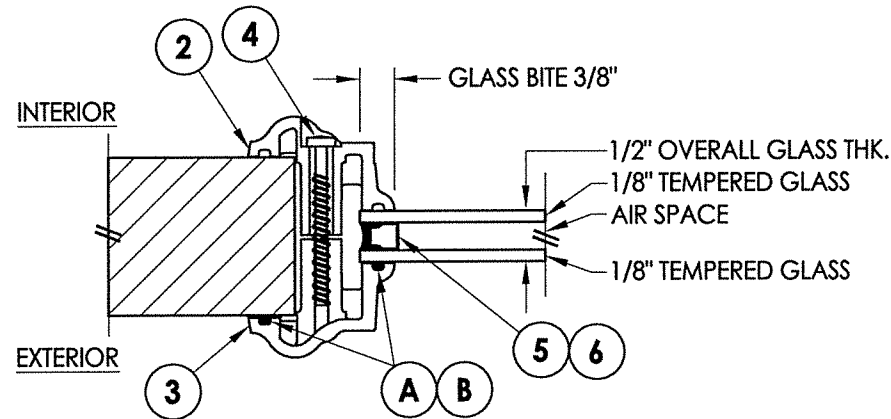
August 07, 2020  
Documents Prepared By:  
Lyndon F. Schmidt  
P.E. No. 43409

**PROFESSIONAL ENGINEER**  
 R.W. BUILDING CONSULTANTS, INC.  
 P.O. Box 230, Valrico, FL 33595  
 Phone No.: 813.659.9197  
 FBPE Registry No. 9813

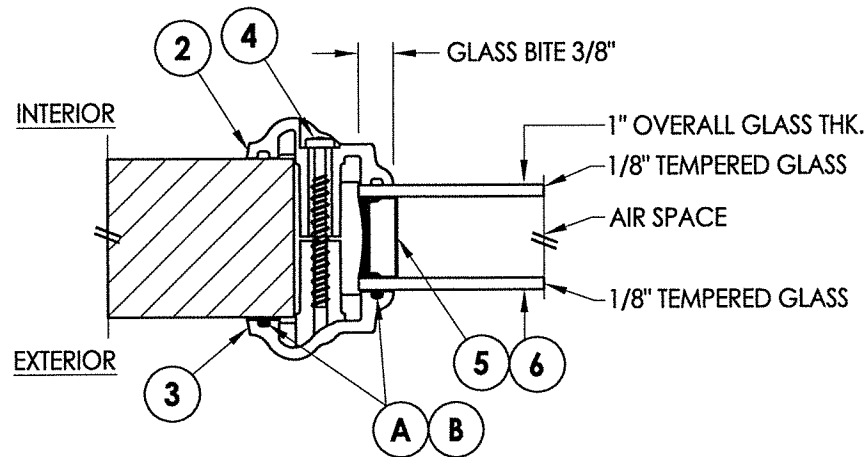
PRODUCT: ODL LITE FRAME		PART OR ASSEMBLY: TYPICAL ELEVATIONS, DESIGN PRESSURES & GENERAL NOTES	
8/05/20	UPDATE TO 7TH ED. (2020) FBC	DAC	BY
10/02/18	REVISE GLAZING DETAIL	LFS	JK
9/26/17	UPDATE TO 6TH ED. (2017) FBC	JK	JK
3/28/15	UPDATE TO 5TH ED. (2014) FBC	JK	JK
NO.	DATE	REVISIONS	
DATE: 2/29/12			
SCALE: N.T.S.			
DWG. BY: JK			
CHK. BY: LFS			
DRAWING NO.: FL-15260.3			
SHEET 1 OF 6			



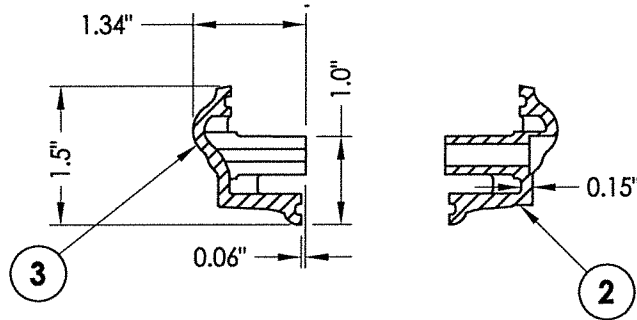
**G1 GLAZING DETAIL**



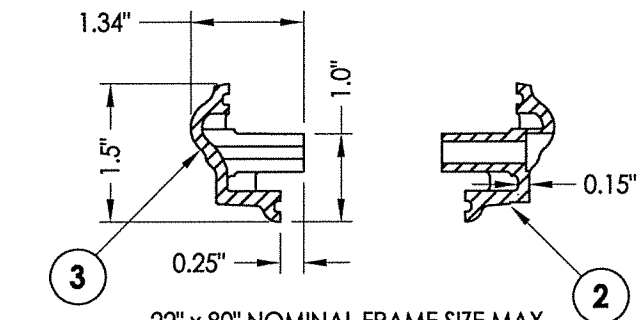
**G2 GLAZING DETAIL**



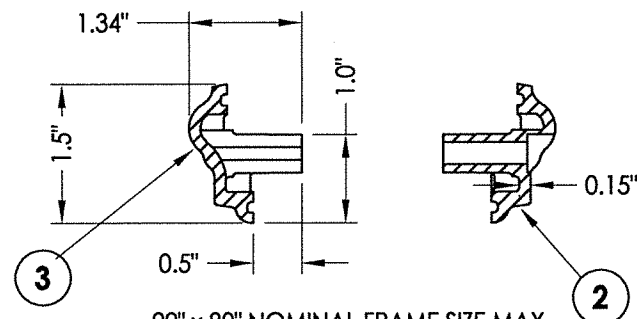
**G3 GLAZING DETAIL**



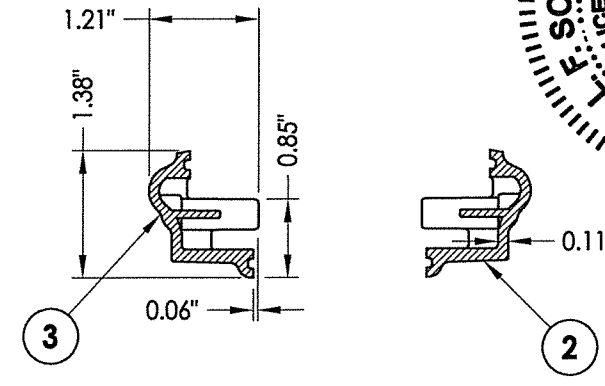
**22" x 80" NOMINAL FRAME SIZE MAX.  
(IN 8'-0" DOOR PANEL)**



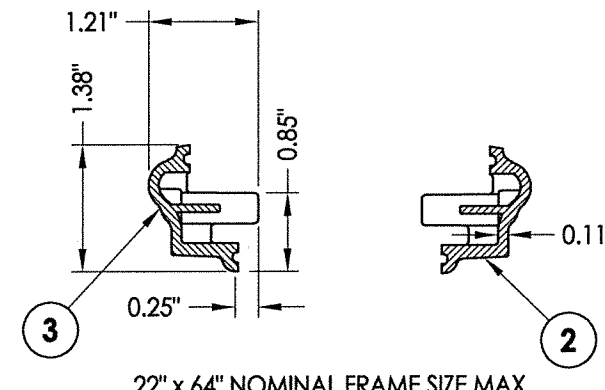
**22" x 80" NOMINAL FRAME SIZE MAX.  
(IN 8'-0" DOOR PANEL)**



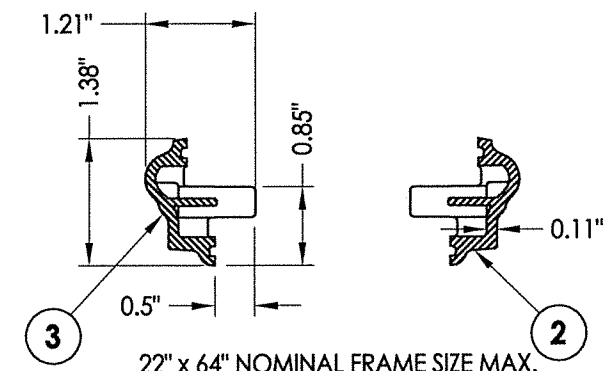
**22" x 80" NOMINAL FRAME SIZE MAX.  
(IN 8'-0" DOOR PANEL)**



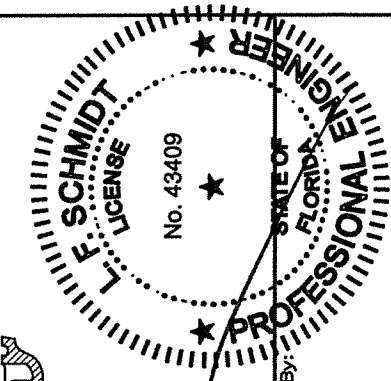
**22" x 64" NOMINAL FRAME SIZE MAX.  
(IN 6'-8" DOOR PANEL)**



**22" x 64" NOMINAL FRAME SIZE MAX.  
(IN 6'-8" DOOR PANEL)**



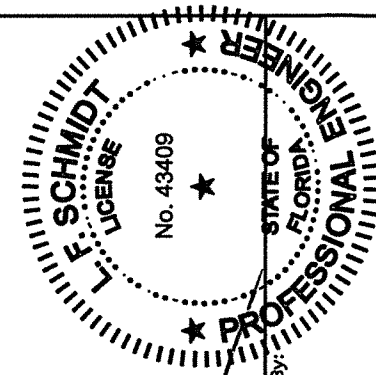
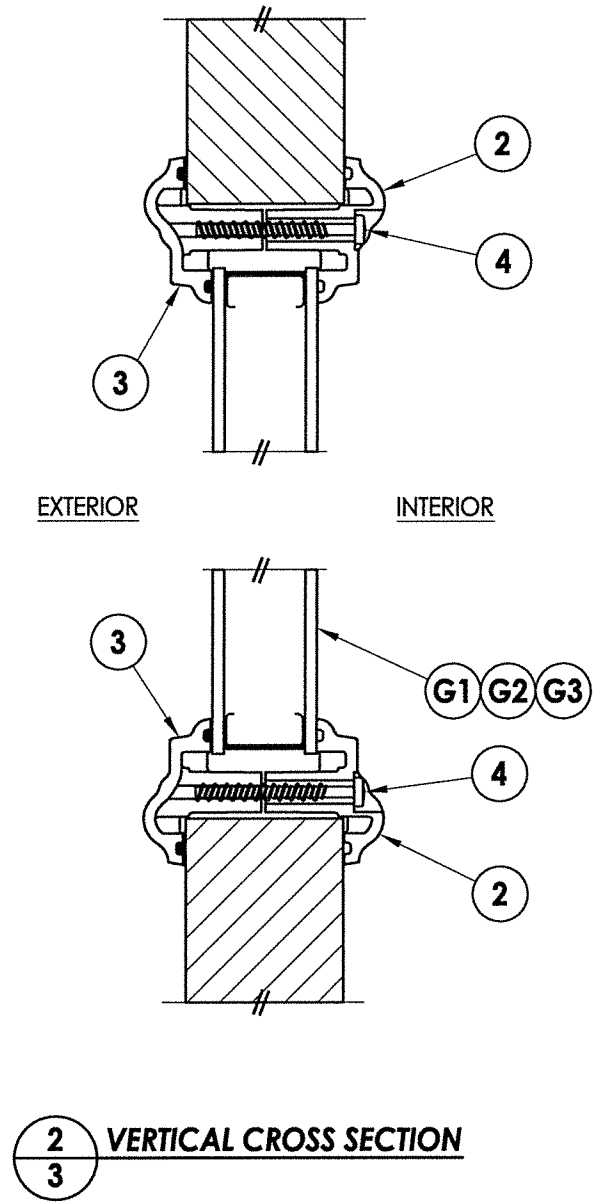
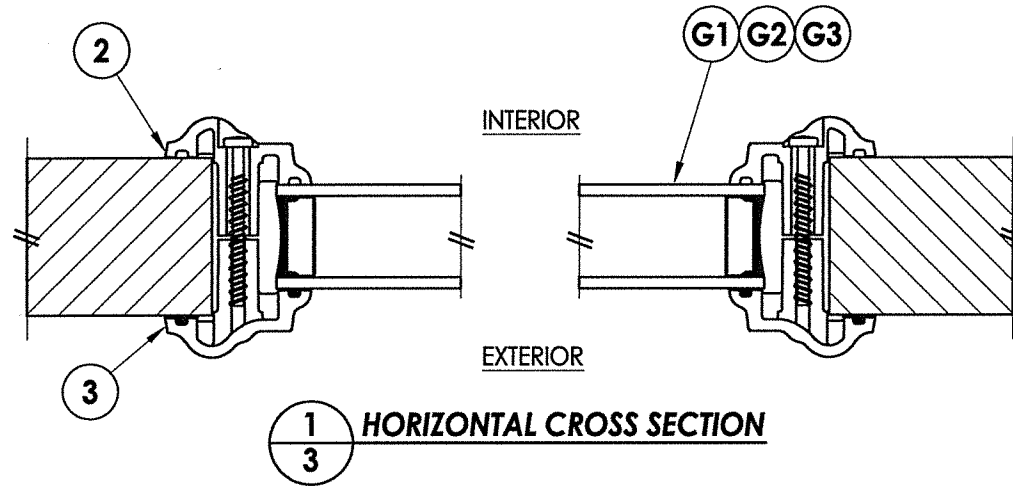
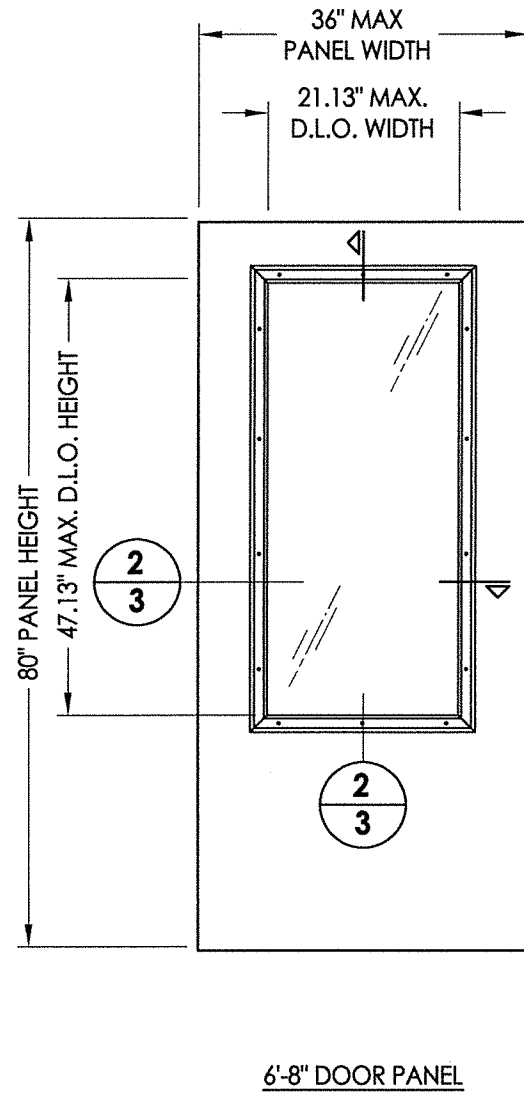
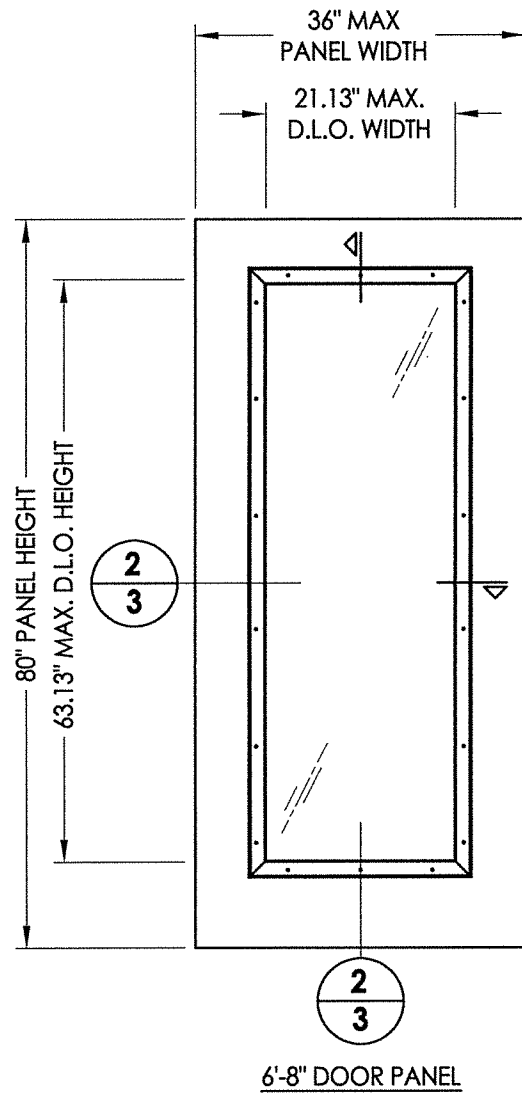
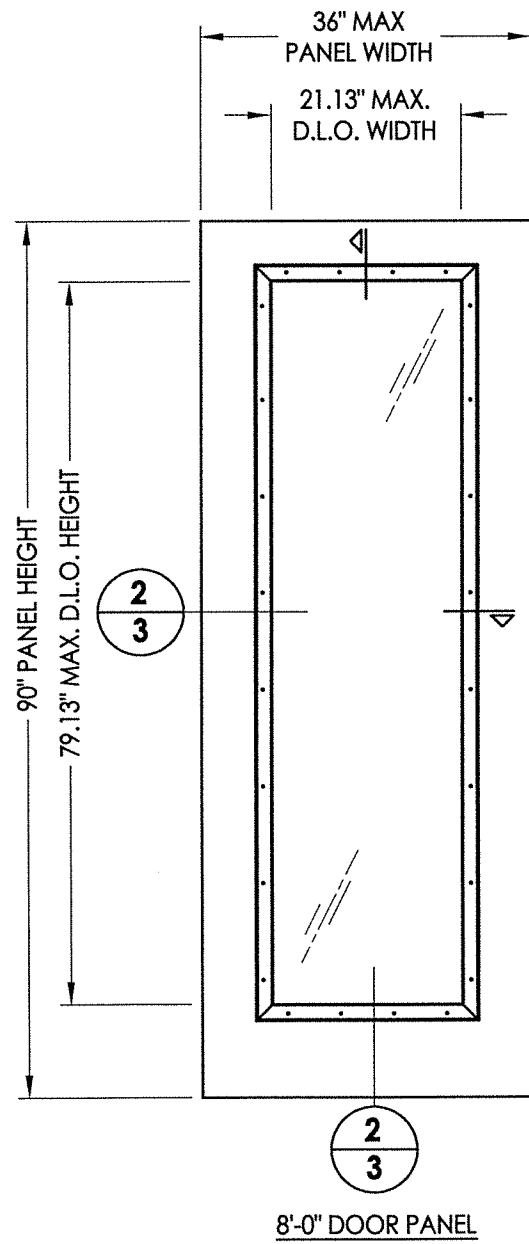
**22" x 64" NOMINAL FRAME SIZE MAX.  
(IN 6'-8" DOOR PANEL)**



August 07, 2020  
Documents Prepared By:  
Lyndon F. Schmidt  
P.E. No. 43409

**R.W.** BUILDING CONSULTANTS, INC.  
P.O. Box 230, Valrico, FL 33595  
Phone No.: 813.659.9197  
FBPE Registry No. 9813

PRODUCT:		ODL LITE FRAME			
PART OR ASSEMBLY:		GLAZING DETAILS AND COMPONENTS			
NO.	DATE	REVISIONS	BY	JK	JK
4	8/05/20	UPDATE TO 7TH ED. (2020)	FBC	DAC	DAC
3	10/02/18	REVISE GLAZING DETAIL	LFS	LFS	LFS
2	9/26/17	UPDATE TO 6TH ED. (2017)	FBC	JK	JK
1	3/28/15	UPDATE TO 5TH ED. (2014)	FBC	JK	JK
DATE: 2/29/12					
SCALE: N.T.S.					
DWG. BY: JK					
CHK. BY: LFS					
DRAWING NO.: FL-15260.3					
SHEET 2 OF 6					



August 07, 2020  
Documents Prepared By:  
Lyndon F. Schmidt  
P.E. No. 43409

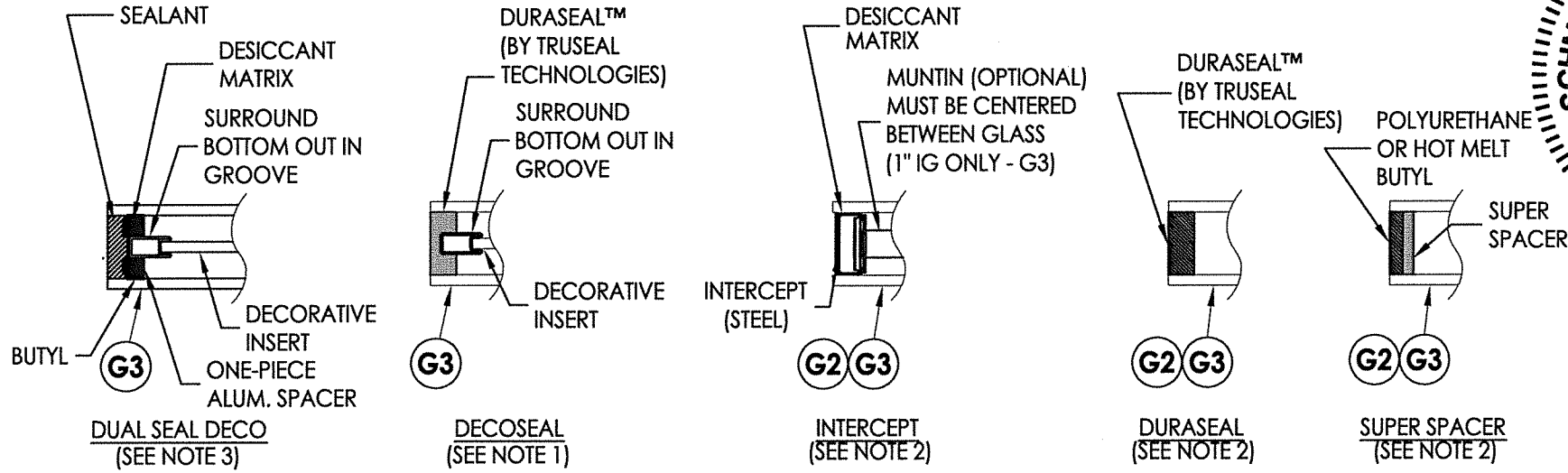
RW BUILDING CONSULTANTS, INC.  
P.O. Box 230, Vairico, FL 33595  
Phone No.: 813.659.9197  
FBPE Registry No. 9813

PRODUCT:	ODL LITE FRAME
PART OR ASSEMBLY:	HORIZONTAL AND VERTICAL CROSS SECTIONS

NO.	DATE	BY
4	8/05/20	DAC
3	10/02/18	LFS
2	9/26/17	JK
1	3/28/15	JK

DATE:	2/29/12
SCALE:	N.T.S.
DWG. BY:	JK
CHK. BY:	LFS
DRAWING NO.:	FL-15260.3
SHEET	3 OF 6

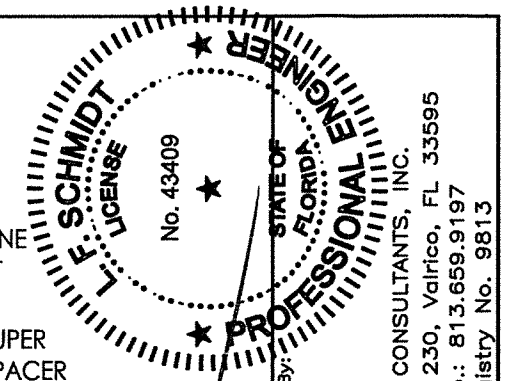
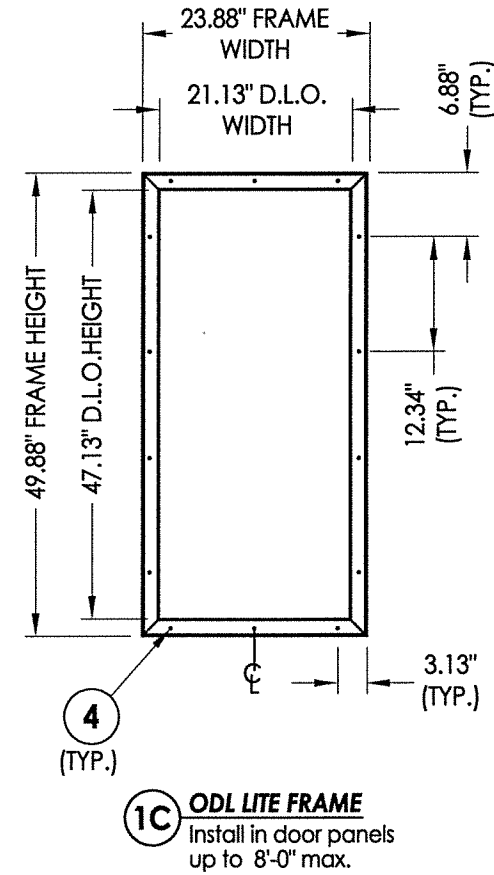
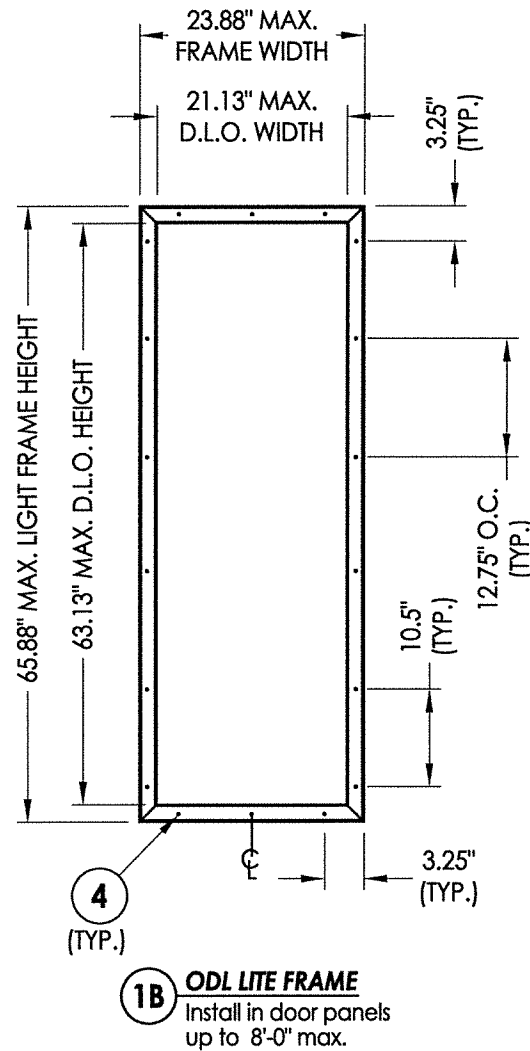
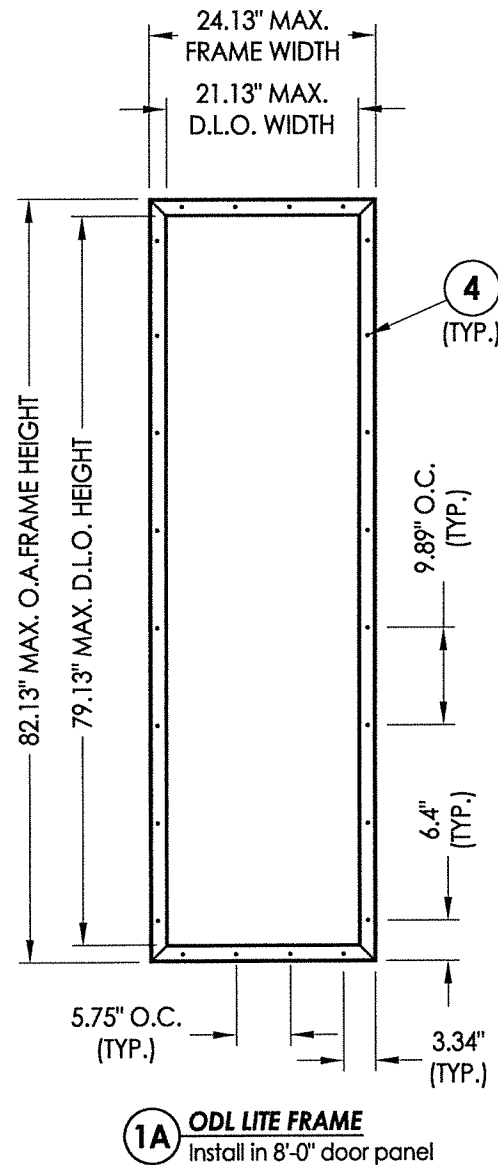
BILL OF MATERIALS		
ITEM #	DESCRIPTION	MATERIAL
1A	ODL LITE FRAME (HP POLYPROPYLENE)	-
1B	ODL LITE FRAME (HP POLYPROPYLENE)	-
1C	ODL LITE FRAME (HP POLYPROPYLENE)	-
2	INT. FRAME (HP POLYPROPYLENE)	-
3	EXT. FRAME (HP POLYPROPYLENE)	-
4	#8 X 1-1/2" PPH SMS	STEEL
5	ALUMINUM GLAZING SPACER	ALUM
6	STEEL INTERCEPT SPACER	STEEL
A	FOAM-IN-PLACE GASKET (RESOLVE)	URETHANE
B	FOAM HOT-MELT (SURESEAL)	HOT-MELT



OPTIONAL GLAZING SPACER DETAILS

NOTES:

1. DECOSEAL GLAZING OPTION MAY BE INSTALLED IN ODL FRAME (1C) ONLY.
2. MAY BE INSTALLED IN ODL FRAMES (1A, 1B OR 1C).
3. DUAL SEAL DECO GLAZING OPTION MAY BE INSTALLED IN ODL FRAMES (1A OR 1B) ONLY.

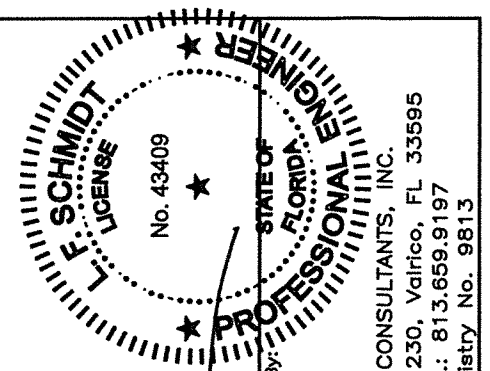
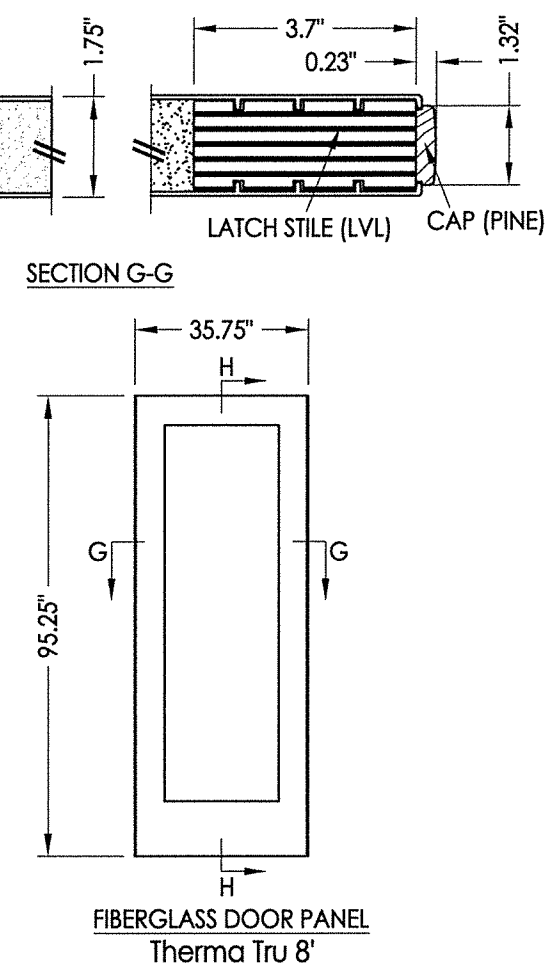
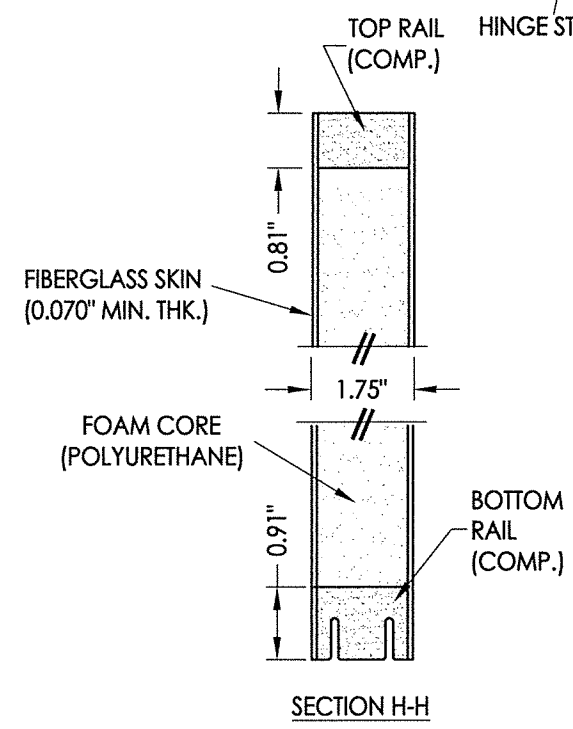
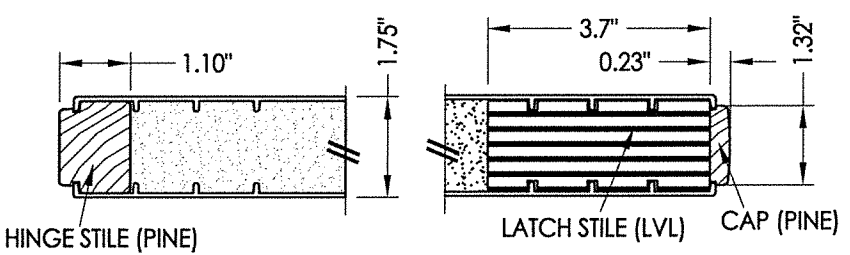
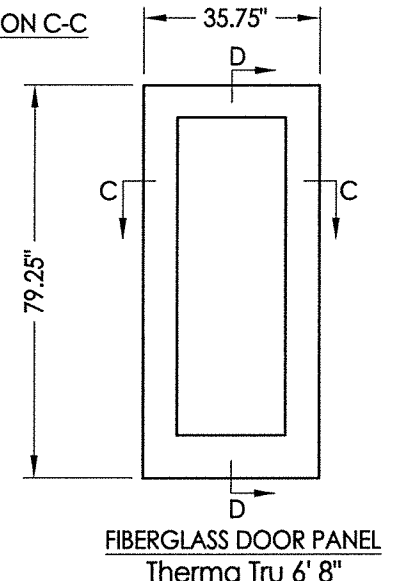
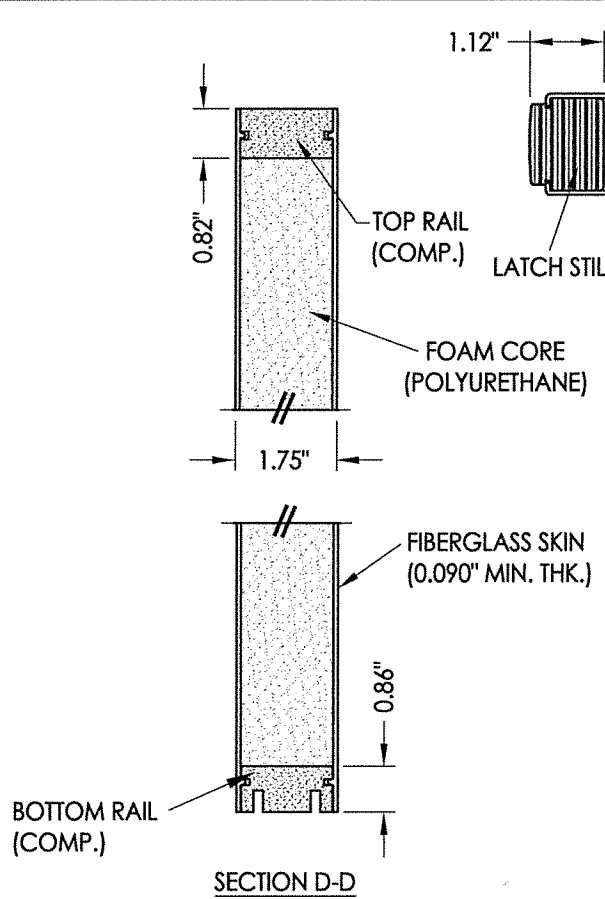
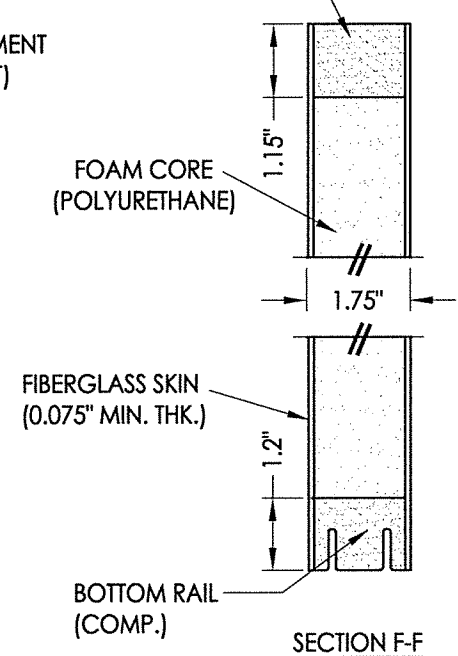
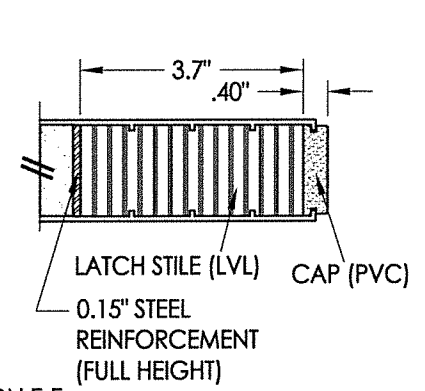
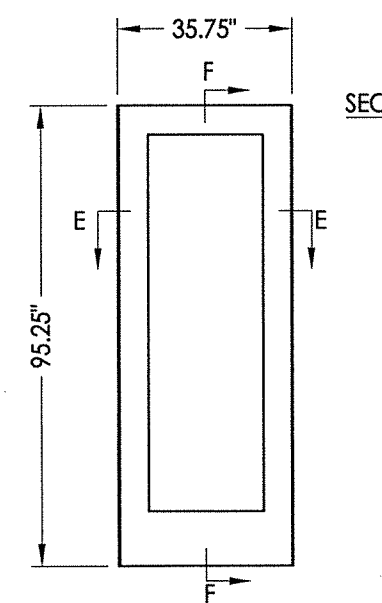
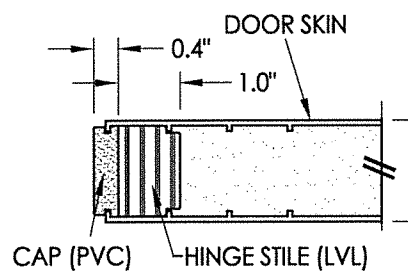
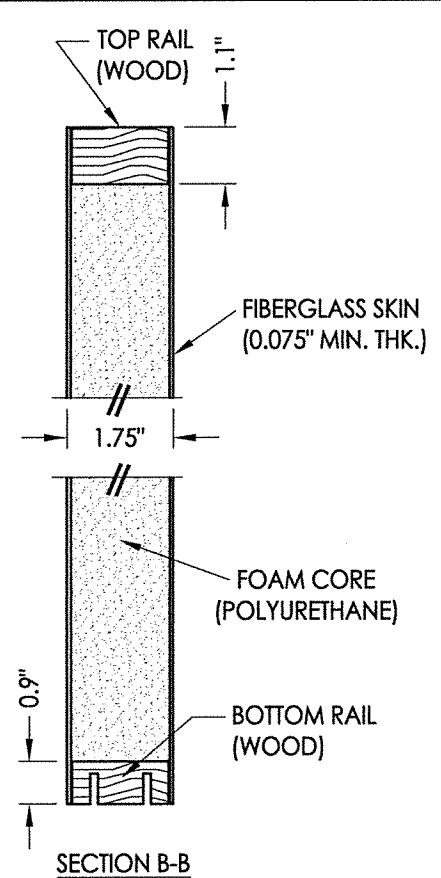
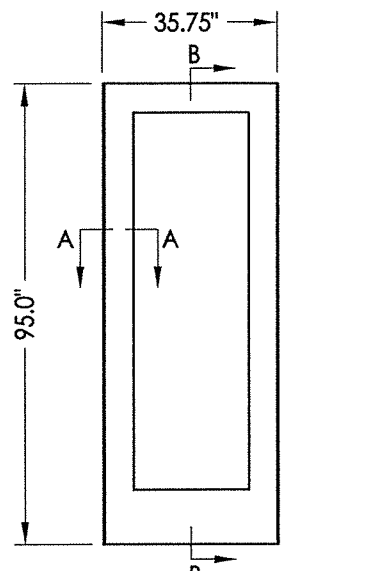
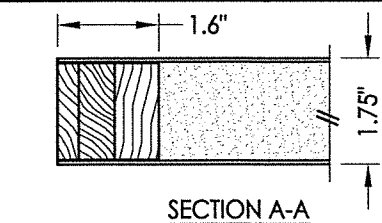


August 07, 2020

Documents Prepared By:  
Lyndon F. Schmidt  
P.E. No. 43409

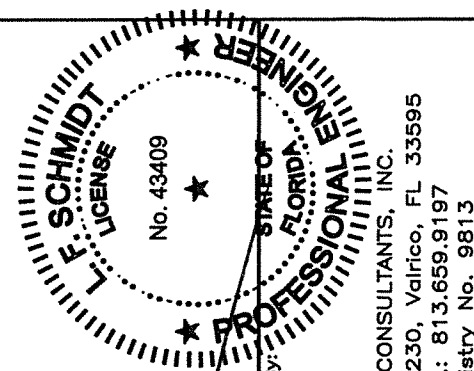
**R.W. BUILDING CONSULTANTS, INC.**  
P.O. Box 230, Valrico, FL 33595  
Phone No.: 813.659.9197  
FBPE Registry No. 9813

PRODUCT:		ODL LITE FRAME	
PART OR ASSEMBLY:		ANCHORING LOCATIONS & BILL OF MATERIALS	
NO.	DATE	BY	REVISIONS
4	8/05/20	DAC	UPDATE TO 7TH ED. (2020)
3	10/02/18	LFS	REVISE GLAZING DETAIL
2	9/26/17	JK	UPDATE TO 6TH ED. (2017)
1	3/28/15	JK	UPDATE TO 5TH ED. (2014)
DATE: 2/29/12			
SCALE: N.T.S.			
DWG. BY: JK			
CHK. BY: LFS			
DRAWING NO.: FL-15260.3			
SHEET 4 OF 6			



August 07, 2020  
 Documents Prepared By:  
 Lyndon F. Schmidt  
 P.E. No. 43409  
 R.W. BUILDING CONSULTANTS, INC.  
 P.O. Box 230, Valrico, FL 33595  
 Phone No.: 813.659.9197  
 FBPE Registry No. 9813

PRODUCT: ODL LITE FRAME	
PART OR ASSEMBLY: FIBERGLASS DOOR PANELS	
NO.	DATE
4	8/05/20
3	10/02/18
2	9/26/17
1	3/28/15
REVISIONS	
DATE:	2/29/12
SCALE:	N.T.S.
DWG. BY:	JK
CHK. BY:	LFS
DRAWING NO.:	FL-15260.3
SHEET	5 OF 6



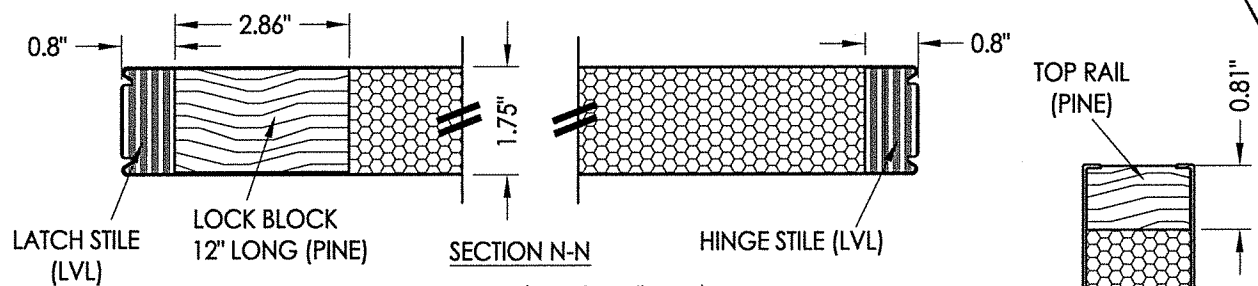
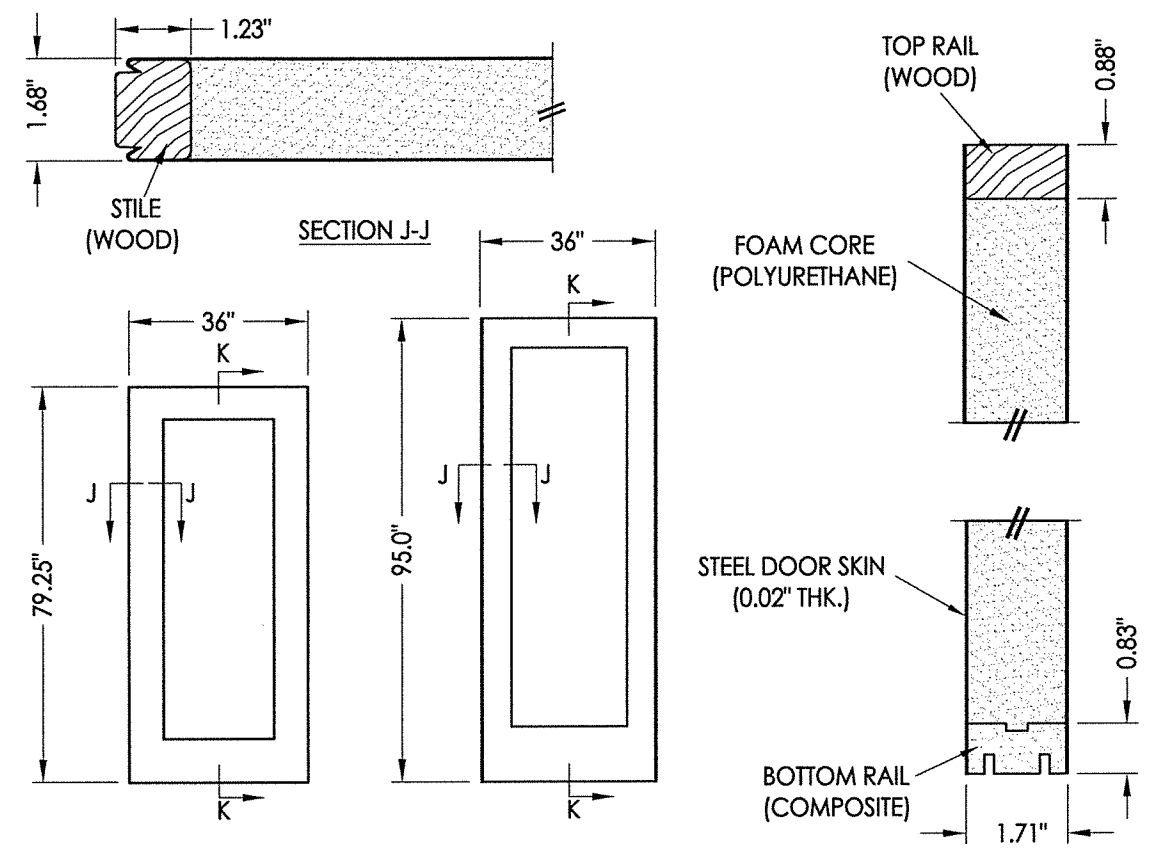
August 07, 2020  
 Documents Prepared By:  
 Lyndon F. Schmidt  
 P.E. No. 43409

**RW** BUILDING CONSULTANTS, INC.  
 P.O. Box 230, Valrico, FL 33595  
 Phone No.: 813.659.9197  
 FBPE Registry No. 9813

PRODUCT: SMART FRAME  
 PART OR ASSEMBLY: STEEL DOOR PANELS

NO.	DATE	BY
4	8/05/20	DAC
3	10/02/18	FBC
2	9/26/17	FBC
1	3/28/15	FBC

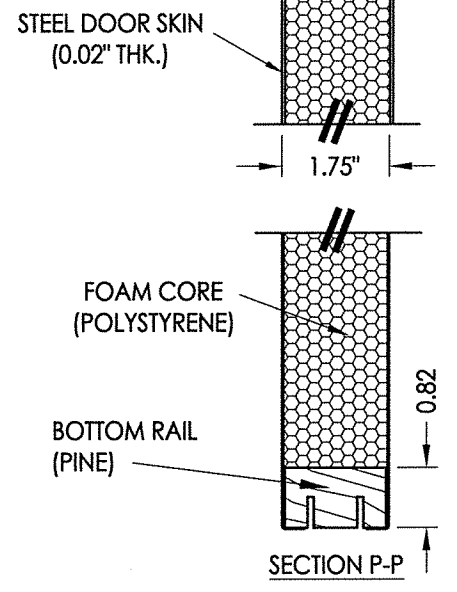
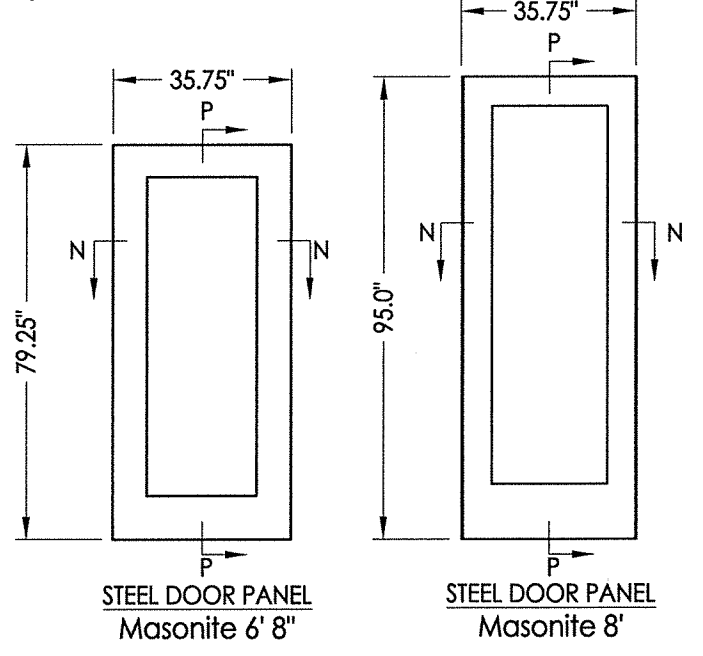
DATE: 2/29/12  
 SCALE: N.T.S.  
 DWG. BY: JK  
 CHK. BY: LFS  
 DRAWING NO.: FL-15260.3  
 SHEET 6 OF 6



STEEL DOOR PANEL  
Therma-Tru 6'-8"

STEEL DOOR PANEL  
Therma-Tru 8'-0"

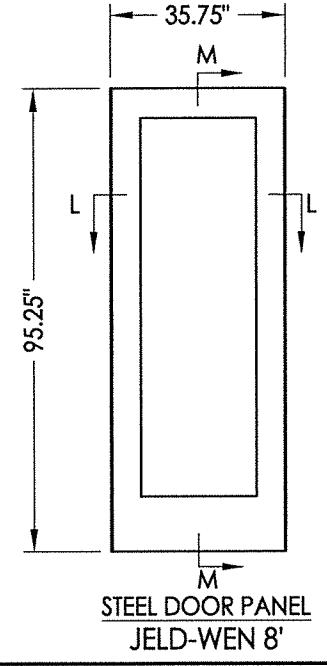
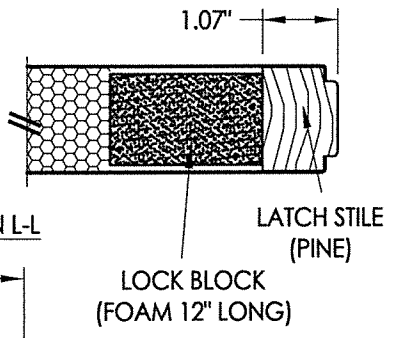
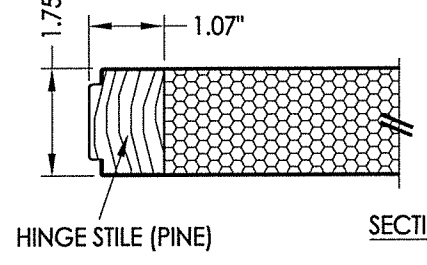
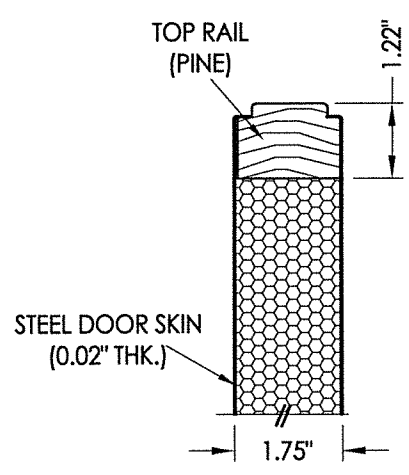
SECTION K-K



STEEL DOOR PANEL  
Masonite 6' 8"

STEEL DOOR PANEL  
Masonite 8'

SECTION P-P



STEEL DOOR PANEL  
JELD-WEN 8'

SECTION M-M

FOAM CORE  
(POLYSTYRENE)

BOTTOM RAIL  
(STEEL)

SECTION M-M